



Pankl Aerospace Systems



pankl
AEROSPACE



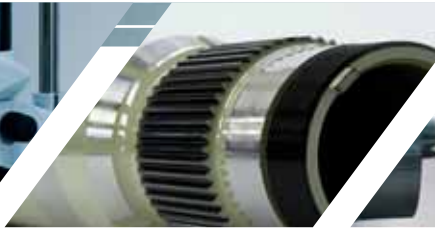
© Sikorsky Aircraft Corporation 2007. All rights reserved.



**DESIGN /
ENGINEERING**



**TESTING /
QUALIFICATION**



PRODUCTS



**MANUFACTURING,
SUPPLY CHAIN /
QUALITY**



AEROSPACE SYSTEMS

Highest Precision

Pankl Aerospace with operations in the US and Europe is serving the global aerospace market as a Tier One Supplier for transmission components, engine shafts, refuelling tubes and landing gear parts for fixed and rotary wing aircraft.

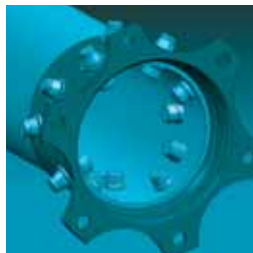
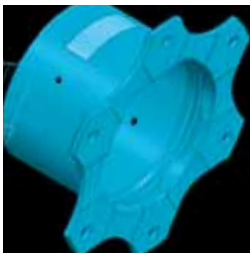
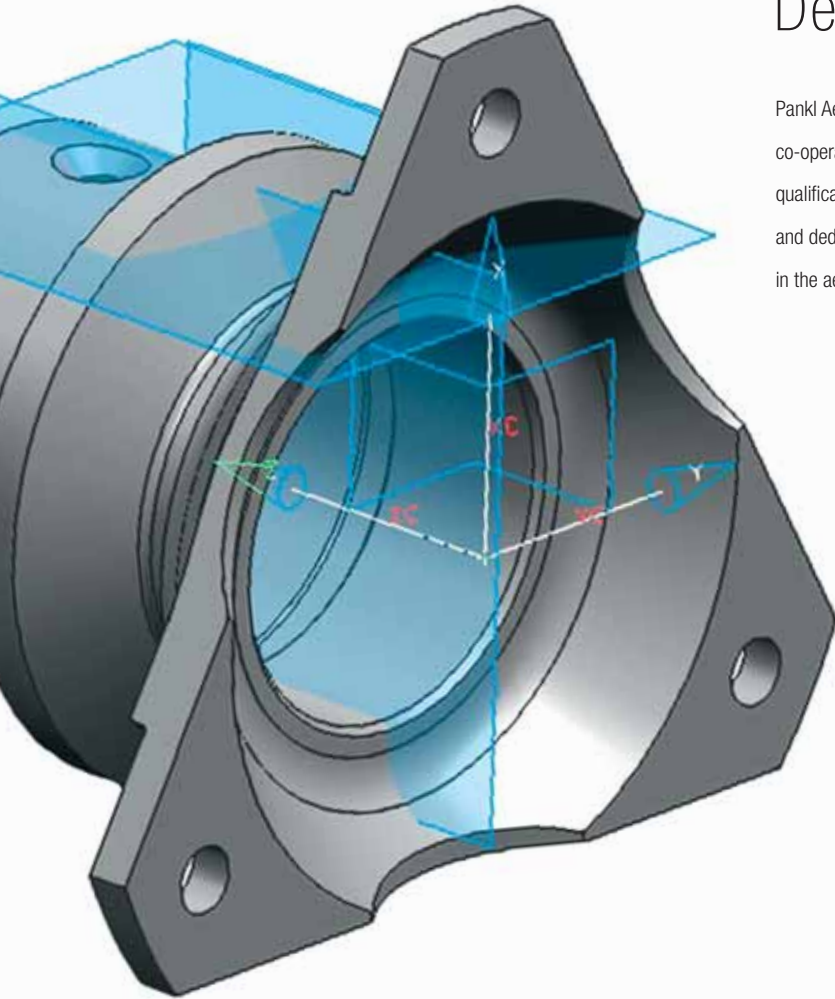
All Pankl employees pursue the goal of satisfying and exceeding customers' expectations, to continue increasing their trust through knowledge, ability, competence and joint cooperation.

pankl
AEROSPACE

DESIGN / ENGINEERING

Developing the Future

Pankl Aerospace is involved in specific aircraft design projects, co-operating with prime manufacturers for design, test and qualification. Advanced equipment combined with a highly trained and dedicated staff enables Pankl Aerospace to meet any challenge in the aerospace industry.

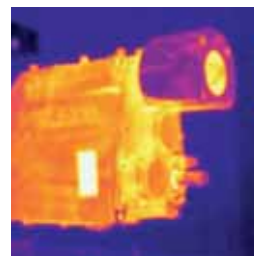
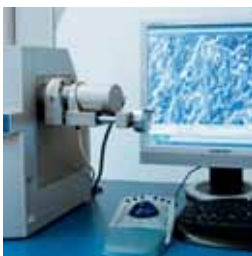




TESTING / QUALIFICATION

Proven Efficiency

A FAA approved dynamic test rig enables rapid prototyping offering our customers short development times including documentation for qualification and airworthiness certification.



panki
AEROSPACE



HELICOPTER TAILROTOR DRIVESHAFT



UAV TAILGEARBOX



HELICOPTER MAINROTORSHAFT



HELICOPTER TAILROTOR DRIVESHAFT



UAV MAINROTORSHAFT



ENGINE SHAFT



OUTER SHAFT



TAILROTOR FLANGE



REFUELLING TUBE





PRODUCTS

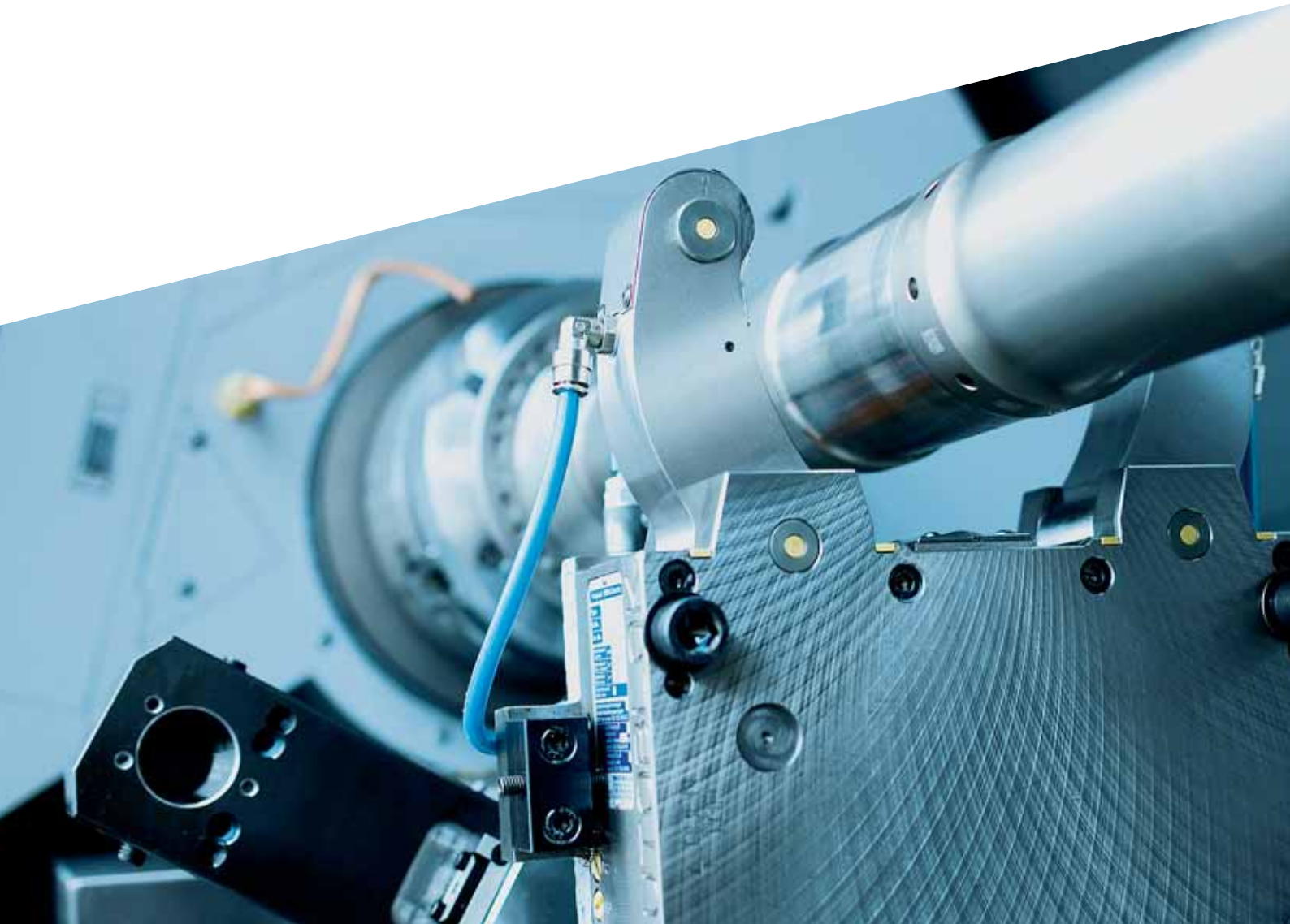
Perfection **Realised**

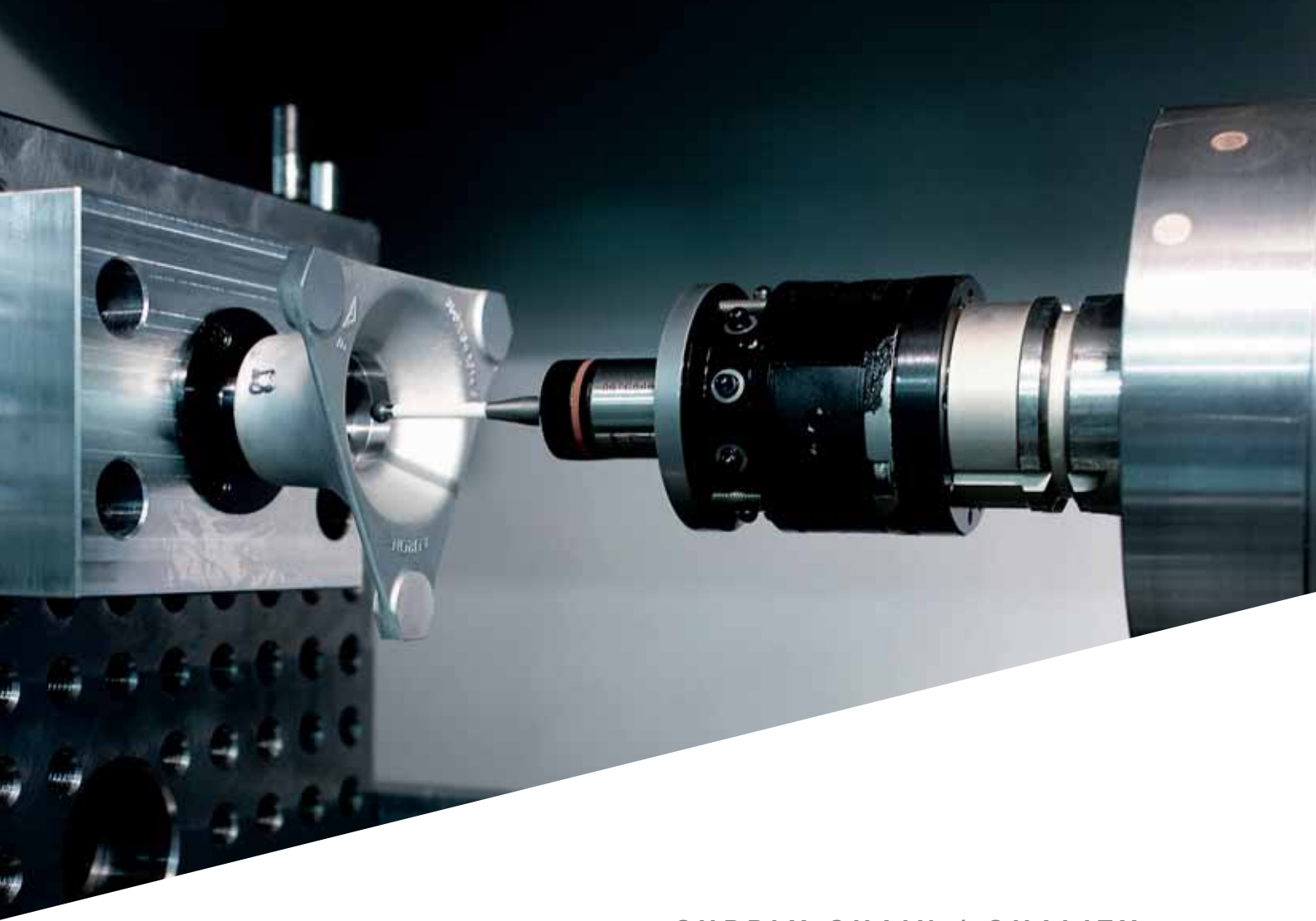
Our portfolio consists of lightweight, highly reliable transmission components and -systems for over 50 types of fixed and rotary wing aircraft. Pankl Aerospace is qualified and approved to manufacture flight safety parts and assemblies for various primes.

pankl
A E R O S P A C E



MANUFACTURING





SUPPLY CHAIN / QUALITY

Accomplished Excellence

Pankl Aerospace is one of the largest manufacturer of flight critical transmission components for fixed and rotary wing aircraft. Pankl offers unique manufacturing capabilities including upsetting, swaging, cold sinking, trepanning, bottle boring, honing and complex machining such as 5-axis, milling & turning. With over 50 years of experience Pankl also provides complex assemblies, high speed super critical balancing and bonding. A well established and controlled supply chain enables Pankl Aerospace to deliver products on time.

Customer approved non destructive testing (NDT) can be performed in house to the highest standard with qualified and certified personnel.



pankl
AEROSPACE



pankl RACING SYSTEMS

PANKL RACING

PANKL HIGH PERFORMANCE

PANKL AEROSPACE

ENGINE



Pankl Engine Systems specialises in developing, designing, manufacturing and testing crank mechanisms, pistons, pins, conrods and crankshafts for racing engines.

engine@pankl.com

DRIVETRAIN



Pankl Drivetrain Systems specialises in developing, designing, manufacturing and testing drivetrain components and offers its customers complete drivetrain and suspension systems.

drivetrain@pankl.com

HIGH PERFORMANCE



Pankl develops and manufactures drivetrain and engine components for exclusive vehicles, engine parts for the aftermarket as well as high performance aluminium forged parts.

highperformance@pankl.com

AEROSPACE



Pankl Aerospace serves the global aerospace market as a Tier One Supplier for drivetrain components, refuelling tubes and landing gear components for helicopters and fixed wing aircraft.

aerospace@pankl.com



PANKL WORLDWIDE

World of **Perfection**

Pankl Racing Systems, based in Bruck/Mur, Austria, specialises in developing and manufacturing engine and drivetrain components for racing cars, high performance vehicles and the aerospace industry.

Pankl scores with lightweight components made from high-grade innovative materials designed to withstand extreme mechanical stress.

Pankl is a global niche player with worldwide subsidiaries in Austria, UK, USA, Slovakia and Japan.

pankl
A E R O S P A C E



Pankl Aerospace Systems Europe GmbH

A member of Pankl Racing Systems

Industriestraße West 4
A-8605 Kapfenberg
Tel: +43(0)3862 33 999-0
Fax: +43(0)3862 33 999-860
E-mail: aerospace@pankl.com

www.pankl.com

Pankl Aerospace Systems Inc.

A member of Pankl Racing Systems

16615 Edwards Road, Cerritos
CA 90703 USA
Tel: +1562 207 6300
Fax: +1 562 207 6301
E-mail: aerospace@pankl.com

pankl
A E R O S P A C E